

*The Amateur Trapshooting
Association Presents*

The 4th Annual



August 30 & 31, September 1-5, 2011

**Preliminary HOA begins Tuesday
HOA begins Thursday**

**Stockdale Gun Club
Ackley, IA**

**www.stockdalegunclub.com
www.shootata.com**



Browning Pump'em Doubles



BROWNING

BROWNING

Remington®

Make Your Competition GREEN With Envy!

PREMIER
STS®

More trophies
are won with
Remington®

27
NITRO®

Ammunition at the
Grand American
than any other
manufacturer,
Year After Year!

Premier STS® "One Less Excuse!"
Consistent Velocities, Uniform Patterns,
Most Reloadable Hull,
Managed Recoil Target Loads

Quality Ammunition, Components,
Target Shotguns and Accessories.

Visit us in
Remington Country at
www.remington.com

Remington®

Remington Arms Company, Inc.
870 Remington Drive, Madison, NC 27025-0700 © 2008

Shane Naylor - Sales Manager, Gun Club Products
336-548-8552

NEW TROPHIES ADDED

HEARTLAND GRAND
PRELIMINARY HIGH OVER ALL TROPHIES
PRESENTED BY THE STOCKDALE GUN CLUB
600 TARGETS EVENT #1 GOVERNS
EVENTS 1-6
WINNER IN EACH CLASS (AAA, AA, A, B, C, D,
WINNER IN EACH CATEGORY
(LADY, JUNIOR, SUB-JUNIOR, VETERAN, SR. VETERAN)

COLLEGIATE AWARDS:

COLLEGIATE INDIVIDUAL EVENT AWARDS

FRIDAY NIGHT WOBBLE (NIGHT SHOOT)
CHAMPION, RUNNER UP, THIRD AND LADY
SATURDAY 16 YARD
CHAMPION, RUNNER UP, THIRD AND LADY
SUNDAY 200 SINGLES
CHAMPION, RUNNER UP, THIRD AND LADY

HIGH ALL AROUND

COLLEGIATE 350 AWARDS

FRIDAY NIGHT WOBBLE, SATURDAY'S SINGLES
AND SUNDAY'S SINGLES EVENTS GOVERNS
CHAMPION, RUNNER UP, THIRD AND LADY

JUNIOR SENIOR SPECIAL CATEGORY TROPHIES

A SHOOTER WHO IS 18 YEARS OF AGE BUT HAS NOT REACHED
HIS/HER 23RD BIRTHDAY SHALL BE ELIGIBLE FOR
JUNIOR SENIOR TROPHIES

THE BROWNING



SHOOTING FORECAST:

DUST STORM.



CITORI XT TRAP



BT-99 WITH ADJUSTABLE COMB

It doesn't take gale force winds and dry conditions on the open plains to produce a Dust Storm. It just takes a Browning trap shotgun. So batten down the hatches at the local trap range and prepare for the whirlwind storm of broken clays and thunderous applause. The ease of swing, the perfect alignment, the comfortable fit. These are the elements that set Browning trap guns apart from

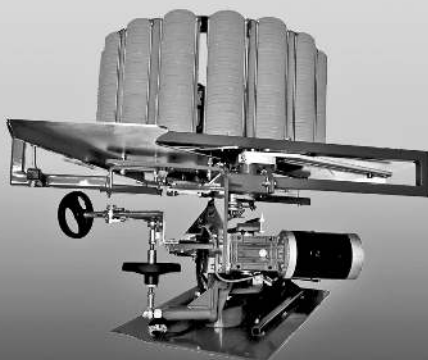


the competition. Whether you choose the famed BT-99 or the legendary Citori XT Trap, the end results will be the same, more broken birds. Both trap guns feature an adjustable comb model and the Invector-Plus™ choke system to customize each shooting situation. When it comes to accuracy, consistency and overall performance, Browning trap shotguns are simply **The Best There Is**™.



SCOUT ATA

- SIMULATE ATA TARGETS FOR TRAINING**
- STAINLESS STEEL KNIFE SYSTEM**
- 150 TARGET CAPACITY**
- QUICK RE-COCKING TIME**
- THROWING DISTANCE 70 YARDS +**
- SIMPLE RELIABLE ELECTRIC SYSTEM**
- OSCILLATING BASE ADJUSTING ANGLE**
- 3 YEAR WARRANTY**



Signature Series

- ATA DOUBLE MACHINE**
- SIXTEEN COLUMN 550 TARGET CAROUSEL**
- SOLENOID RELEASE FOR INSTANT ACCURATE TARGET RELEASE**
- HEIGHT SPRING TILT ADJUSTMENT HANDLES QUICK EASY CHANGE SINGLES TO DOUBLES**
- DOUBLE WOBBLE VERSION ALSO AVAILABLE**
- 3 YEAR WARRANTY**

8 DEDICATED TRAP MACHINES TO CHOOSE FROM



FOR THE DEALER NEAREST YOU
888.767.2529
WWW.PROMATIC.BIZ

Iowa Falls Marine Boat Show & Cookout

Tuesday, August 30th

A COMPLETE BOAT, MOTOR & TRAILER PACKAGE

Crestliner 16 Ft. Fish Hawk



**Check Out Our
Selection of
Outboard Motors**



**New & Used
Golf Carts**
**Used carts starting
at \$400**

Iowa Falls Marine
641-648-7393
www.iowafallsmarine.com

**Boat Show
&
Cookout**



**August 30
After all
events**



**FREE TO ALL
CONTESTANTS
AND
GUESTS**

Rent Cars:

**\$25.00
per day**

**\$150.00
per grand
week**

WELCOME TO THE 4th ANNUAL HEARTLAND GRAND AMERICAN

The Executive Committee is pleased to present the program for the Heartland Grand American.

Do not sign up in the last squads for a first event, then the first squads of the next event. You will not make it to your trap, even while we are changing trap ranges for doubles. We do not stop shooting between events.

The Heartland Grand American is one of the first shoots of the new target year. Please have your ATA and state dues paid before entering the sign up lines at the shoot.

By entering the grounds everyone agrees to abide by all ATA rules.

Be ready to shoot, squads are not to wait for tardy members.

- 1) The tournament will start on Tuesday, August 30th at 11:00 AM.
 - a) Stockdale Gun Club will host events 1 through 12, 15, 17, & 18.
 - b) Events 13, 16 & 19 and the HOA and All Around comprise the Heartland Grand.
 - 2) Daily Fees - ATA \$2.00; ISTA \$2.00 will be charged, **plus 7% Iowa state sales tax (.28)**. All targets are subject to Iowa state sales tax. State sales tax is included in the daily target fees (**Target fees are 28.03 plus 7% Sales tax, equals 30.00**)
 - 3) All singles and handicap shoot-offs will be on a 25-target basis and doubles will be on 10 pair. All singles carry-overs will be on a 25 target basis and doubles will be on a 50-target basis. HOA & HAA shoot off targets are 20 Singles, 10 Handicap, & 5 Pair of doubles.
 - 4) You may use your own shells including reloads.
 - 5) There are no compulsory purses.
 - 6) Practice trap fees: 25 birds- \$5.00; 12 pair- \$5.00. Practice is the honor system, but please pay in advance.
 - 7) The cashier, squadding, and classification windows will open each tournament day at 8:00 AM and close at 5:00 PM. Closing time on Monday, September 5th will be at 6:00 pm.
 - 8) There will be Hall of Fame Contributor Awards in Sunday's Handicap.
 - 9) Officials of the ATA and/or the Executive Committee and gun club management will make all program interpretations.
 - 10) A member of the Central Handicap Committee will supervise classification and handicapping.
 - 11) RE-SQUADDING IS MANDATORY FOR THOSE WHO HAVE MORE THAN ONE SUB-EVENT TO MAKE-UP (\$25 RE-SQUADDING FEE).
 - 12) Pre-squadding services are being offered this year. See pages 25 & 26 for details.
 - 13) ALL EVENTS SHALL BE SHOT 5 TARGETS TO A POST, 25 TARGETS TO A TRAP. DOUBLES WILL BE SHOT 50 TARGETS PER TRAP, 5 pair per post.
 - 14) THERE WILL BE UP TO A MAXIMUM OF 6 BANKS CONSISTING OF 2 TRAPS PER BANK.
- Banks will be rotated each day.** There will be a drawing made by the management at the sign up building around 5:00 PM in view of shooters for bank assignments for each day. These bank assignments will be posted the night before at the club houses, sign up building and around the trap line. If you sign up after the bank assignments have been posted, you must take a position on the first available squad. There will be no exception to this rule. Squads will be assigned to the first available bank that is able to accommodate squadding needs. **Club management reserves the right to balance the fields.**
- Targets shall be reset only if they become illegal or appreciably vary from legal targets. The final decision as to whether or not a trap is to be reset shall be made by the Target Setting Committee.

2011 PRESIDENT



William Anzaldi
Eastern Zone
Mattapoisett, MA



Jeff Wagner
Central Zone
Williston, ND

Dear Shooters,

The fourth annual Heartland Grand will take place from August 30th through September 5th, 2011. The atmosphere at the Stockdale Gun Club in Ackley, Iowa epitomizes our Heartland of America and I can't think of a better place to spend our nations Labor Day holiday than at the Heartland Grand.

Dale Stockdale and his family and friends have been working hard to complete another bank of traps to the east end of the current trap line, in addition to all of the other preparations that are done to make this one of the most beautiful facilities in the country. All of the countless hours of preparation and thought put into all aspects of the shoot will surely culminate in a Heartland Grand not to be missed.

Don't miss this exciting opportunity to earn All American Points, win great prizes, start off the 2012 ATA Target Year and most importantly join your friends at the fourth annual Heartland Grand.

Sincerely,

A handwritten signature in black ink that reads "Jeff Wagner".

Jeff Wagner
ATA President

VICE PRESIDENTS



Allan Radway
Western Zone
Sundre, AB



Terry Roush
Southern Zone
Greensboro, NC



Wayne D. Morris
Eastern Zone
Charlestown, RI



Rob Taylor
Southwestern Zone
Manhattan, KS



Gary Sherrod
Ex-Officio
Lubbock, TX

OTHER OFFICERS



Thomas Burkey
Treasurer
Chambersburg, PA



Hunter H. Galloway III
Secretary
Greensboro, NC

SHOOTER'S RESPONSIBILITY

ENTRY AND SHOOTING PROCEDURE

- 1) **THIS IS A 2012 TARGET YEAR EVENT. PLEASE HAVE YOUR ATA & AITA DUES PREPAID IN ADVANCE.**
- 2) Take your average card to the classification desk. Do not attempt to make your program entries before doing so.
- 3) **BE SURE YOUR AVERAGE CARD IS UP TO DATE.** Be sure your classification and handicap yardage are marked plainly by a member of the handicap committee before you leave the table. It is your responsibility to know the rules. You are subject to penalties for shooting in the wrong classification or at the wrong yardage even if your card is so marked.
- 4) It is the responsibility of category shooters to see that they are so marked at the time they are classified/handicapped. If your special category does not appear on the bulletin sheet, report the omission at the cashier's office.
- 5) If you draw squad positions that will not be used for an event, please see our squadding personnel to release your position. Releasing your position allows us to fill holes in open squads, making this tournament more enjoyable for all shooters. **A shooter may not draw more than one (1) position per event.**
- 6) Squadding will be restricted to a maximum of 2 yards on a squad.
- 7) The cashier will accept no counter checks and the only type of cash or check accepted will be U.S. funds. Checks will be accepted for the amount of shooting fees only - No Exceptions.
- 8) No additions or withdrawals permitted on purses and options. **NO OPTIONS REFUNDED UNLESS EVENT IS CANCELLED.**
- 9) There will be a drawing made by the management at the sign-up building around 5:00 PM for bank assignments for each day. These bank assignments will be posted the night before at the club houses and around the trap line. If you sign up after the bank assignments have been posted, you must take a position on the first available squad. There will be no exception to this rule. Squads will be assigned to the first available bank that is able to accommodate squadding needs. Club management reserves the right to balance the fields.
- 10) Classification and Squadding/Cashiering will open:
Open Tuesday through Sunday – 8:00 AM to 5:00 PM and
Monday, September 5 - 9:00 AM to 1:00 PM.
- 11) Payoff checks may be picked up at the trophy counter.
- 12) Please do not wait until the last day to receive your added money, payoff checks and trophies.

NOTICES

SOLICITING

No soliciting, selling chances, taking entries for splatter board shoots or similar activities will be allowed on the grounds, nor shall any literature of any kind be distributed on the grounds without prior written approval by the ATA and club

GAMBLING

Gambling is not permitted on the club grounds at any time.

SHELLS

Sale of shells or components by anyone other than the club is prohibited.

ANNOUNCEMENT

This program will absolutely govern the Tournament. The Amateur Trapshooting Association rules will govern all points not otherwise provided for. The Executive Committee reserves the absolute right, in its sound discretion, at any time prior to or during this Tournament to change or modify this program in any manner it desires.

CLASSIFICATION

Shooters are required to have their 16-yard and doubles averages computed for use by the handicap committee.

16-YARD EVENTS	DOUBLE EVENTS
98% and overAAA	96% and overAAA
96.25% & under 98%..... AA	92% & under 96%..... AA
94.75% & under 96.25%..... A	89% & under 92%..... A
93% & under 94.75%..... B	86% & under 89%..... B
90% & under 93%..... C	82% & under 86%..... C
under 90% D	under 82% D

SINGLES AND DOUBLES SHOOT-OFFS

Singles events 1, 5, 7, 12 & 17 will carry over to the next singles event.

Doubles events 3, 4, 9, & 11 will carry over to the next doubles event.

Shoot-off will be shot on well lit traps using all white bio-degradable White Flyer Targets!

RULES AND REGULATIONS

1) Should you win or tie for high in a class in any 16 yard or doubles event or earn yardage in any handicap event, it shall be your responsibility to report to the handicap desk and have your yardage increased or classification reviewed. Shooters winning or tying for high in class in event #7 and #9 will be advanced at least one class for the next like event. Any shooter whose class or yardage is changed for any reason shall be considered to be notified when the new class or yardage is posted on the bulletin board.

2) Any shooter failing to carry out rule 1 above or who shoots in an incorrect class or from a yardage higher or lower than that assigned by the handicap committee will be subject to disqualification and will not be eligible to share in any money division or be eligible for trophies.

3) A shooter may not win more than one trophy in the same event. If a shooter's score qualifies for more than one trophy, the shooter must notify the shoot management which trophy they desire to take or shoot-off for. Failure of the shooter to make notification within 15 minutes of that event's last scores being posted imposes on shoot management the duty to make the determination for the shooter. Shoot management shall give priority to category over class trophies. Concurrent special awards are exempt from this rule.

4) At all tournaments where All American points will be awarded, in any event, Shooters may declare only one (1) Category (i.e., Lady, Sub-Junior, Veteran, Senior Veteran or Chair-Shooter). Any shooter who is tied for event Champion may shoot-off/carry-over for the Championship trophy. If a shooter fails in the Championship trophy shoot-off/carry-over and has declared a Special Category, at classification, the shooter will fall back to his/her declared category. Any shooter who has declared a Special Category at Classification and whose score only qualifies him/her for any trophy in his/her declared Category will compete for the Category trophy and not for place, class or yardage group. Any Category shooter whose score doesn't qualify for a trophy in his/her Category may compete for place, class or yardage group.

5) Rule 3 above does not affect the right of all shooters from shooting off for event champion or place trophies. A special category shooter may enter into a shoot off for event champion only and fall back to special category but must declare intent prior to shoot-offs. A special category shooter that enters into a shoot off for runner up or place trophies must complete the shoot off and accept the results.

6) Any special category declaration is to be made at the time you are classified. For purposes of special category declaration the time of entry is when you are classified. Report special category omission on the bulletin sheets to the cashier's office.

7) Each shooter who is entitled to receive money won during any event agrees that if such money is not received by him during the period of this tournament, a check in payment for the money won may be mailed to him at the address indicated by ATA records, and when so mailed, the club will not be liable in any manner whatsoever for any check lost, stolen, unclaimed or otherwise not received by the shooter.

8) Management will not be responsible for errors in scores after the options have been posted. Shooter should use the electronic bulletin board and the score board to check their scores to notify shoot management immediately if a discrepancy is noticed. **Errors will be corrected upon discovery.**

9) Shooters who do not have a total of 500 16 yard targets registered with the ATA in the current and previous year will be advanced at least two classes or more at the discretion of the classification committee. Shooters without an established average shall be placed in class B or higher at the discretion of the classification committee.

10) Shooters who do not have a total of 500 doubles targets registered with the ATA in the current and previous year will be advanced at least two classes or more at the discretion of the classification committee. Shooters without an established average shall be placed in class b or higher at the discretion of the classification committee.

11) Shooters who do not have a total of 1000 handicap targets registered with the ATA in the current and previous year will be assigned penalty yardage or shoot their handicap card yardage whichever is greater. Yardage assignment for junior and adult males is 23 yards. Yardage assignment for lady, sub junior, veteran and senior veteran shooters shall be 20 yards.

12) All targets shot on Tuesday, August 31st and Wednesday, September 1st may be applied toward above target requirements. If target requirement is met, you must immediately return to the Handicap Desk and be re-classified. If requirements are not met, you will remain shooting assigned yardage and/or assigned classification. There will be no bump of classes on Tuesday or Wednesday.

13) In an effort to avoid unused positions, it is imperative that you either cashier or release all positions that you have squadded for prior to the event. **Anyone that does not cashier or release positions that have been squadded in their name will risk having any or all subsequent squadded positions in their name released by management.** You may call the office at (641) 648-4458 if you can not make it to the club in time and have your position released.

14) Dogs must be leashed during shooting hours.

15) Shooters must present their ATA number to presquad.

**Your Minnesota Connection for
Shooting Sports Eyewear.**

Third Street Optical



James Hess, OD



Sara Fredrickson, OD

**Locally Owned
& Operated
Since 1983**



David Smith, Owner

**Professional Eye Examinations
Quality Products At Low Prices
All Types of Contact Lenses
Large Selection of Frames**

**Hours:
Monday-Friday
8-5:30 PM**

"Authorized Dealer"

Decot 
HYAWYD
SPORT GLASSES, INC.

1-800-746-8313

212 3rd Street - Downtown Bemidji

CLAYS WON'T STAND A CHANCE



*The Official Youth and
Collegiate Program of the
Amateur Trapshooting Association*

Find out more at
www.AIM4ATA.com

Amateur Trapshooting Association • 601 West National Road • Vandalia, OH • 45377
Website: www.shootata.com • E-Mail: aim@shootata.com
Phone: (937) 898-4638 • Fax: (937) 898-5472



IOWA FALLS MARINE DAY

**FIRST TOURNAMENT DAY
TUESDAY, AUGUST 30, 2011
STARTING TIME 11:00 AM**

Preliminary HOA Begins Event 1-6

Tonights Boat Show Cookout FREE to all Contestants and Guests

EVENT #1

100 16 YARD TARGETS

Targets (plus ATA & ISTA daily fees) includes 7% sales tax\$30.00

OPTIONS

Lewis Purse - 3 class min, one class per 25, 60/40% each class\$10.00

TROPHIES

Winner & Runner-up in each class (AAA, AA, A, B, C, D)

Winner & Runner-up in each category (Lady, Junior Senior, Junior, Sub-Junior, Veteran, Sr. Veteran)

EVENT #2

100 HANDICAP TARGETS

Targets (plus ATA & ISTA daily fees) includes 7% sales tax\$30.00

OPTIONS

Lewis Purse – 3 class min, one class per 25, 60/40% each class\$10.00

Yardage Purse - 50/30/20% each yardage group\$20.00

(18-21) (22-24) (25-26) (27)

\$10.00 on each 50 (first, middle, last) - divided 50/30/20%.....\$30.00

TROPHIES

Champion through sixth Place

Winner & Runner-up in each category (Lady, Junior Senior, Junior, Sub-Junior, Veteran, Sr. Veteran)

EVENT #3

50 PAIR DOUBLES TARGETS

Targets (plus ATA & ISTA daily fees) includes 7% sales tax\$30.00

OPEN OPTIONS

Lewis Purse – 3 class min, one class per 25, 60/40% each class\$10.00

\$5.00 on each 50 - divided 60/40%\$10.00

Class purse - \$10.00 each class - divided 60/40%.....\$10.00

TROPHIES

Winner & Runner-up in each class (AAA, AA, A, B, C, D)

Winner & Runner-up in each category (Lady, Junior Senior, Junior, Sub-Junior, Veteran, Sr. Veteran)

Tonights Boat Show Cookout FREE to all Contestants and Guests

PORTERS ON MAIN DAY

SECOND DAY

WEDNESDAY, AUGUST 31, 2011

STARTING TIME 11:00 AM

Tonights Porters on Main Cookout FREE to all Contestants and Guests

EVENT #4

50 PAIR OF DOUBLES TARGETS

Targets (plus ATA & ISTA daily fees) includes 7% sales tax\$30.00

OPEN OPTIONS

Lewis Purse - 3 class min, one class per 25, 60/40% each class\$10.00

\$5.00 on each 50 - divided 60/40%\$10.00

Class purse-\$10.00 each class - divided 60/40%\$10.00

TROPHIES

Champion & Runner Up

Winner & Runner-up in each class (AAA, AA, A, B, C, D)

Winner & Runner-up in each category (Lady, Junior Senior, Junior, Sub-Junior,
Veteran, Sr. Veteran)

EVENT #5

SINGLES

100 SINGLES 16 YARD TARGETS

Targets (plus ATA & ISTA daily fees) includes 7% sales tax\$30.00

OPTIONS

Lewis Purse - 3 class min, one class per 25, 60/40% each class\$10.00

TROPHIES

Champion & Runner up

Winner & Runner-up in each class (AAA, AA, A, B, C, D)

Winner & Runner-up in each category (Lady, Junior Senior, Junior, Sub-Junior,
Veteran, Sr. Veteran)

EVENT #6

100 HANDICAP TARGETS

Targets (plus ATA & ISTA daily fees) includes 7% sales tax\$30.00

OPTIONS

Lewis Purse - 3 class min, 1 class/25, divided 60/40% each class.....\$10.00

Yardage Purse - 50/30/20% each yardage group\$20.00

(19-21) (22-23) (24-25) (26-27)

\$10.00 on each 50 (first, last, and middle) - divided 50/30/20%\$30.00

TROPHIES

Champion through seventh Place

Winner & Runner-up in each category (Lady, Junior Senior, Junior, Sub-Junior,
Veteran, Sr. Veteran)

Tonights Porters on Main Cookout FREE to all Contestants and Guests

Porters on Main - 205 Main St. • Iowa Fall, IA 50126 • 641-648-4067

THIRD DAY
THURSDAY, SEPTEMBER 1, 2011
STARTING TIME 10:00 AM (High Over All Begins)

EVENT #7
SINGLES

100 16 YARD TARGETS

Targets (plus ATA & ISTA daily fees) includes 7% sales tax\$30.00

OPTIONS

Lewis Purse - 3 class min, one class per 25, 60/40% each class\$10.00

TROPHIES

Winner & Runner-up in each class (AAA, AA, A, B, C, D)
Winner & Runner-up in each category
(Lady, Junior Senior, Junior, Sub-Junior, Veteran, Sr. Veteran)

EVENT #8

100 HANDICAP TARGETS

Targets (plus ATA & ISTA daily fees) includes 7% sales tax\$30.00

OPTIONS

Lewis Purse - 3 class min, 1 class/25, divided 60/40% each class\$10.00

Purse - divided 50/30/20%\$20.00

\$10.00 on each 50 (first, middle, last) - divided 50/30/20%.....\$30.00

TROPHIES

Champion through 8th Place
Winner & Runner-up in each category
(Lady, Junior Senior, Junior, Sub-Junior, Veteran, Sr. Veteran)

EVENT #9

DOUBLES

50 PAIR DOUBLES TARGETS

Targets (plus ATA & ISTA daily fees) includes 7% sales tax\$30.00

OPEN OPTIONS

Lewis Purse - 3 class min, one class per 25, 60/40% each class\$10.00

\$5.00 on each 50 - divided 60/40%.....\$10.00

Class purse- \$10.00 each class - divided 60/40%.....\$10.00

TROPHIES

Champion & Runner-Up
Winner & Runner-up in each class (AAA, AA, A, B, C, D)
Winner & Runner-up in each category
(Lady, Junior Senior, Junior, Sub-Junior, Veteran, Sr. Veteran)



BROWNING

EVENT #10

NON REGISTERED

25 PAIR PUMP'EM DOUBLES (PUMP GUNS ONLY)

25 Pair double targets\$30.00

TROPHIES

Six Browning BPS J2 Shot Guns Awarded Class (AAA, AA, A, B, C, D)



BROWNING

**FOURTH DAY
FRIDAY, SEPTEMBER 2, 2011
STARTING TIME 10:00 AM**

EVENT #11

CLASS DOUBLES

50 PAIR DOUBLES TARGETS

Targets (plus ATA & ISTA daily fees) includes 7% sales tax\$30.00

OPTIONS

Lewis Purse - 3 class min, one class per 25, 60/40% each class\$10.00

\$5.00 on each 50 - one money each class.....\$10.00

Class purse- \$10.00 each class - divided 60/40%.....\$10.00

TROPHIES

(provided by ATA)

Winner & Runner-up in each class (AAA, AA, A, B, C, D)

Winner & Runner-up in each category

(Lady, Junior Senior, Junior, Sub-Junior, Veteran, Sr. Veteran)

EVENT #12

CLASS SINGLES

100 SINGLES 16 YARD TARGETS

Targets (plus ATA & ISTA daily fees) includes 7% sales tax\$30.00

OPTIONS

Lewis Purse - 3 class min, one class per 25, 60/40% each class\$10.00

TROPHIES

(provided by ATA)

Winner & Runner-up in each class (AAA, AA, A, B, C, D)

Winner & Runner-up in each category

(Lady, Junior Senior, Junior, Sub-Junior, Veteran, Sr. Veteran)

EVENT #13

100 HANDICAP TARGETS

Targets (plus ATA & ISTA daily fees) includes 7% sales tax\$30.00

OPTIONS

Lewis Purse - 3 classes, 1 class/25, divided 60/40% each class\$10.00

Yardage Purse - 50/30/20% each yardage group\$20.00

(18-21) (22-24) (25-26) (27)

\$10.00 on each 50 (first, middle, last) - divided 50/30/20%.....\$30.00

TROPHIES

Champion through 9th Place Provided by Stockdale Gun Club

Winner & Runner-up in each category

(Lady, Junior Senior, Junior, Sub-Junior, Veteran, Sr. Veteran)

EVENT #14

FRIDAY NIGHT LIGHTS WOBBLE EVENT TONIGHT, \$17.00 TARGETS

FIFTH DAY
SATURDAY, SEPTEMBER 3, 2011
STARTING TIME 9:00 AM

EVENT #15
HEARTLAND GRAND DOUBLES CHAMPIONSHIP
50 PAIR DOUBLES TARGETS

Targets (plus ATA & ISTA daily fees) includes 7% sales tax\$30.00

OPTIONS

Lewis Purse - 3 class min, 1 class/25, divided 60/40% each class\$10.00

\$5.00 on each 50 - one money each class.....\$10.00

Class purse- \$10.00 each class - divided 60/40%.....\$10.00

TROPHIES

(provided by ATA)

Champion & Runner-up

Winner & Runner-up in each class (AAA, AA, A, B, C, D)

Winner & Runner-up in each category (Lady, Junior Senior, Junior, Sub-Junior,
Veteran, Sr. Veteran)

High Wheelchair Shooter

See Page 27 for Added Money



EVENT #16

REMINGTON NITRO 27 HANDICAP
100 HANDICAP TARGETS

Targets (plus ATA & ISTA daily fees) includes 7% sales tax\$30.00

OPTIONS

Lewis Purse - 3 class min, one class per 25, 60/40% each class\$10.00

Yardage Purse - 50/30/20% each yardage group\$20.00
(18-21) (22-24) (25-26) (27)

\$10.00 on each 50 (first, middle, last) - divided 50/30/20%.....\$30.00

TROPHIES

(provided by ATA)

Champion

Runner-up through 5th Place

Winner & Runner-up in each category (Lady, Junior Senior, Junior, Sub-Junior,
Veteran, Sr. Veteran)

6th -10th place provided by Stockdale Gun Club

EVENT #17

HEARTLAND 100 WARM-UP SINGLES EVENT

100 16 YARD TARGETS (NOT INCLUDED THE IN HAA OR HOA)

Targets (plus ATA & ISTA daily fees) includes 7% sales tax\$30.00

OPTIONS

Lewis Purse - 3 class min, one class per 25, 60/40% each class.....\$10.00

TROPHIES

(Provided by Stockdale Gun Club)

Champion & Runner-Up

Winner & Runner-up in each class (AAA, AA, A, B, C, D)

Winner & Runner-up in each category (Lady, Junior Senior, JR, Sub-JR,
Veteran, Sr. Veteran)

SIXTH DAY
SUNDAY, SEPTEMBER 4, 2011
STARTING TIME 9:00 AM
NOTE: SQUADS WILL BE LIMITED TO 100

EVENT #18

HEARTLAND GRAND SINGLES CHAMPIONSHIP
200 16 YARD TARGETS

Targets (plus ATA & ISTA daily fees) includes 7% sales tax\$60.00

OPTIONS

Lewis Purse - 3 class min, one class per 25, 60/40% each class\$10.00

Class purse- \$10.00 each class - divided 60/40%.....\$10.00

TROPHIES

(provided by ATA)

Champion & Runner-up

Winner & Runner-up in each class (AAA, AA, A, B, C, D)

Winner & Runner-up in each category (Lady, Junior Senior, Junior, Sub-Junior,
Veteran, Sr. Veteran)

Junior & Sub-Junior Trophies supplied by Trapshooting Hall of Fame

High Wheelchair Shooter

See Page 27 for Added Money

EVENT #19

(NOT INCLUDED IN THE HAA OR HOA)
100 WARM UP HANDICAP TARGETS

Targets (plus ATA & ISTA daily fees) includes 7% sales tax\$30.00

OPTIONS

Lewis Purse - 3 classes, 1 class/25, divided 60/40% each class\$10.00

Yardage Purse - 50/30/20% each yardage group\$20.00

(18-21) (22-24) (25-26) (27)

\$10.00 on each 50 (first, middle, last) - divided 50/30/20%.....\$30.00

TROPHIES

(Provided by Stockdale Gun Club)

Champion Through 11th Place

Winner & Runner-up in each category (Lady, Junior Senior, JR, Sub-JR,
Veteran, Sr. Veteran)

SUNDAY NIGHT
\$10.00 STEAK FRY COOK OUT
Please sign up before noon on Sunday.

**SEVENTH DAY
MONDAY, SEPTEMBER 5, 2011
STARTING TIME 9:00 AM
ENTRIES CLOSE AT 1:00 PM**

EVENT #20

**FAREWELL 100 SINGLES EVENT
100 16 YARD TARGETS (NOT PART OF HAA OR HOA)**

Targets (plus ATA & ISTA daily fees) includes 7% sales tax \$30.00

OPTIONS

Lewis Purse - 3 class min, 1 class/25, divided 60/40% each class \$10.00

TROPHIES

(provided by Stockdale Gun Club)

Winner & Runner-up in each class (AAA, AA, A, B, C, D)

Winner & Runner-up in each category (Lady, Junior Senior, Junior, Sub-Junior,
Veteran, Sr. Veteran)

EVENT #21

**HEARTLAND GRAND HANDICAP CHAMPIONSHIP
100 HANDICAP TARGETS**

Targets (plus ATA & ISTA daily fees) includes 7% sales tax \$30.00

OPTIONS

Lewis Purse - 3 class min, 1 class/25, divided 60/40% each class \$10.00

Hall of Fame Contributor Award (Lewis Class)..... \$20.00

3 classes 60/40 high gun each class

Yardage Purse - 50/30/20% each yardage group \$20.00

(18-21) (22-24) (25-26) (27)

\$10.00 on each 50 (first, middle, last) - divided 50/30/20%..... \$30.00

TROPHIES

(provided by ATA)

Champion

Runner-up through Seventh Place provided by ATA, eighth through twelfth
place provided by Stockdale Gun Club

Winner & Runner-up in each category

(Lady, Junior Senior, Junior, Sub-Junior, Veteran, Sr. Veteran)

High Wheelchair Shooter

Hall of Fame Contributor Award Trophy Courtesy of Shamrock Leathers
Concurrent Event

Yardage Group trophies for Monday's Handicap Grand Championship provided
by the Stockdale Gun Club. (18-21), (22-24), (25-26), (27) and

Runners up for all yardage groups.

See Page 34 for Added Money

**HEARTLAND GRAND
ALL AROUND & HIGH OVER ALL TROPHIES**

HEARTLAND GRAND ALL AROUND

Presented by BLASER

400 Championship Targets

Trophies

(provided by BLASER)

Champion

Winner in each class (AAA, AA, A, B, C, D)

Winner in each category (Lady, Junior Senior, Junior, Sub-Junior,
Veteran, Sr. Veteran)

High Wheelchair Shooter

Trophies

(provided by Stockdale Gun Club)

Runner-up in each category (Lady, Junior Senior, Junior, Sub-Junior,
Veteran, Sr. Veteran)

Event #13 class governs

HEARTLAND GRAND HIGH OVER ALL

Presented by White Flyer

1100 Targets

Events 7-13, 14, 16 & 19

Trophies

(provided by White Flyer)

Champion

Winner in each class (AAA, AA, A, B, C, D)

Winner in each category (Lady, Junior, Sub-Junior, Veteran, Sr. Veteran)

Trophies

(provided by Stockdale Gun Club)

Runner-up in each category (Lady, Junior Senior, Junior, Sub-Junior,
Veteran, Sr. Veteran)

Event #7 class governs

HALL OF FAME CONTRIBUTOR AWARD

The \$20 fee for this award is a 50% tax-deductible donation to the Hall of Fame. The purpose of this donation is to further the Hall of Fame expansion and worthy projects such as the Youth Trapshooting Program. All donors will qualify for the Hall of Fame Award. Your entry card shows this contribution and is your receipt. The Hall of Fame will retain 50% of the donation while the remainder will constitute the portion to be awarded. Monies will be paid out in three Lewis Classes, 60/40 high gun each class. The high score in the event will receive a Shamrock Leathers specially crafted four-box shell carrier suitably engraved.

NOTE: Any ties will be resolved by shoot management's discretion.

HEARTLAND GRAND PRE- SQUADDING RULES

1. You can pre-squad on line at www.presquad.com
2. Request forms received before or including August 15, 2010 will be given equal priority and drawn at random. All request forms received after this date will be processed by received date. No request forms will be accepted after August 22, 2009.
3. The non-refundable service charge of \$2.00 per position, per event, must be included with your request form.
4. If you draw squad positions that will not be used for an event, please see squadding personnel to release your position. Releasing your position allows us to fill holes in open squads, making this tournament more enjoyable for all shooters. **A shooter may not draw more than one (1) position per event.**
5. In an effort to avoid unused positions, it is imperative that you either cashier or release all positions that you have pre-squadded for prior to the event. **Anyone that does not cashier or release positions that have been pre-squadded in their name will risk having any or all subsequent pre-squadded positions in their name released by management.** You may call the office at 641-648-4458 if you can not make it to the club in time and have your position released
6. There will be a drawing made by the management for bank assignments for each day. These bank assignments will be posted the night before at the club houses and around the trap line. If you sign up after the bank assignments have been posted, you must take a position on the first available squad. There will be no exception to this rule.
7. **A shooter may only draw one position per event.** Any shooters wishing to squad together must fill out only one application indicating the shooters full name, ATA number, and handicap yardage on the line indicating which position that shooter wishes to shoot. Applications for full or partial squads that do not have each shooter's information completely and properly filled out will not be honored. **Multiple applications for any individual will be discarded and will not be refunded. The first application encountered will be processed only.**
8. **Squadding will be restricted to a maximum of 2 yards on a squad**
9. Event 15 is limited to 100 squads. Once this limit has been reached, all further request for this event will not be honored. Any request not honored for this event only will be refunded.
10. Telephone requests will not be honored.

Please enclose check for the total amount of the service charge made payable to:

Stockdale Gun Club
Attn: Pre Squadding
10724 Co Hwy S-55

Contact Phone Number
641-648-4458

HEARTLAND GRAND AMERICAN
PRE-SQUADDING REQUEST FORM

Event

8/30/10 Tuesday

#1 Singles	E M L	full sq. ____ 1 2 3 4 5
#2 Handicap	E M L	full sq. ____ 1 2 3 4 5
#3 Doubles	E M L	full sq. ____ 1 2 3 4 5

8/31/10 Wednesday

#4 Doubles	E M L	full sq. ____ 1 2 3 4 5
#5 Singles	E M L	full sq. ____ 1 2 3 4 5
#6 Handicap	E M L	full sq. ____ 1 2 3 4 5

9/1/10 Thursday

#7 Singles	E M L	full sq. ____ 1 2 3 4 5
#8 Handicap	E M L	full sq. ____ 1 2 3 4 5
#9 Doubles	E M L	full sq. ____ 1 2 3 4 5
#10 Pump'em Doubles (NR 1,2)	E M L	full sq. ____ 1 2 3 4 5

9/2/10 Friday

#11 Doubles	E M L	full sq. ____ 1 2 3 4 5
#12 Singles	E M L	full sq. ____ 1 2 3 4 5
#13 Handicap	E M L	full sq. ____ 1 2 3 4 5
#14 Wobble (NR 1,2)	E M L	full sq. ____ 1 2 3 4 5

9/3/10 Saturday

#15 Doubles Champ	E M L	full sq. ____ 1 2 3 4 5
#16 Nitro 27 Hdcp	E M L	full sq. ____ 1 2 3 4 5
#17 Heartland 100 Singles	E M L	full sq. ____ 1 2 3 4 5

9/4/10 Sunday

#18 Singles Champ	E M L	full sq. ____ 1 2 3 4 5
#19 Warm-Up Handicap	E M L	full sq. ____ 1 2 3 4 5

9/5/10 Monday

#20 Farewell Singles	E M L	full sq. ____ 1 2 3 4 5
#21 Handicap Chmp	E M L	full sq. ____ 1 2 3 4 5

*With the introduction of the lottery system for drawing starting banks daily and presquad.com, all entries at the squadding window will be done on a FIRST COME FIRST SERVED basis in order to fill squad positions. 1. Not registered 2. Not part of HAA or HOA

PRE-SQUADDING FORM FOR THE HEARTLAND GRAND

ATA # _____

NAME _____

ADDRESS _____

CITY _____ STATE _____ ZIP _____

PHONE NUMBER (_____) _____

YOUR CURRENT YARDAGE _____

SQUAD MEMBERS (full & partial squads only)

Post	ATA #	Name	Yardage
1			
2			
3			
4			
5			

Squadding selections have maximums. Use the following to determine the event's maximum number of squads.

Tuesday

Event #1 - less than 90
 Event #2 - less than 90
 Event #3 - less than 90

Thursday

Event #7 - less than 80
 Event #8 - less than 80
 Event #9 - less than 80
 Event #10 - less than 80

Saturday

Event #15 - less than 80
 Event #16 - less than 80
 Event #17 - less than 80

Wednesday

Event #4 - less than 90
 Event #5 - less than 90
 Event #6 - less than 90

Friday

Event #11 - less than 80
 Event #12 - less than 60
 Event #13 - less than 60
 Event #14 - less than 60

Sunday

Event #18 - less than 100
 Event #19 - less than 60

Monday

Event #20 - less than 60
 Event #21 - less than 100

All singles events will be 50 targets per trap, two traps per bank.

Friday Night Lights Double event is 50 targets - shot on one trap.

All doubles events will be shot 50 targets per trap. Each trap represents a bank. Trap banks will be lettered from West to East. A-H.

Pump'em Doubles are 25 pair shot on one trap.

RECOB'S Target Shop

YOUR WHOLESALE/RETAIL DEALER OF CHOICE

"We Do it Right"

In Business for Over 20 Years!



FEDERAL
PREMIUM[®]
AMMUNITION

CCI



RECOB'S Target Shop

975 19th St., Prairie du Sac, WI 53578

800.359-4571

Online store & email at www.recobtargetshop.com

TRAP & FIELD®



NO OTHER PUBLICATION
*offers you such extensive
coverage of
ATA registered shoots!*

- 12 monthly issues
- Exclusive ATA Shoot Directory
—a complete list of registered shoots
- Around the ATA
—news from the Delegates
- In-depth coverage of major shoots
- Reports and scores from registered
shoots, plus photos of winners
- Cream-of-the-crop columnists
- Information on trapshooting products,
services and other features!

T & F
®
**TRAP &
FIELD**

1000 Waterway Blvd.
Indianapolis, IN 46202
317-633-8800

www.trapandfield.com

**SALES
SERVICE
CONSIGNMENT**



**CONSIGNMENTS
WANTED**

PARLIAMENT COACH - WHERE LUXURY IS DEFINED



**PAINT & BODY SHOP
FULL SERVICE DEPT
WARRANTY WORK
INSURANCE CLAIMS**

**FLORIDA'S ONLY BLUE BIRD
DEALER**



1-888-571-5755

WWW.PARLIAMENTCOACH.COM

THE OFFICIAL COACH OF THE A.T.A



Paper or Plastic?



The Gold Medal line of target shooting ammunition didn't get its name by chance. Whether your discipline is Trap, Skeet or Sporting Clays, we have a load to fit your needs. Winning shooters have long preferred the Federal Premium® brand with its patented one-piece 12S3 or 12S0 wad. All you have to decide is which hull you prefer to win your own gold medal.

Federal—the choice of Champions!

 **FEDERAL
PREMIUM**
AMMUNITION

www.federalpremium.com

Past Winners

Event 1	2008	Tuesday 100 Singles	ART PEYTON	PEERS AB, CA	100
	2009		MARK ZAUHAR	LAKEVILLE, MN	100
	2010		DAVID DEITH	TINA, MO	100
Event 2	2008	Tuesday 100 Handicap	MARK ZAUHAR	LAKEVILLE , MN	95
	2009		TIM GERDES	LAKE MILLS, IA	98
	2010		MARK ZAUHAR	LAKEVILLE , MN	97
Event 3	2008	Tuesday 100 Doubles	HARLAN CAMPBELL	TRIBUNE, KS	100
	2009		KENNTN BRANDT	HAMPTON, IA	99
	2010		ROBERT MUNSON	HOWARD LAKE, MN	100
Event 4	2008	Wednesday 100 Doubles	HARLAN CAMPBELL	TRIBUNE, KS	100
	2009		NATHON NOFER	HURON, SD	99
	2010		MIKE BRIGHT	STEAMBOAT ROCK, IA	98
Event 5	2008	Wednesday 100 Singles	MARK ZAUHAR	LAKEVILLE, MN	100
	2009		GLENN LINDEN	SPRING LAKE PARK, MN	100
	2010		MITCHEL LOVELESS	MURFREESBORO, TN	
Event 6	2008	Wednesday 100 Handicap	ART PEYTON	PEERS AB, CA	96
	2009		PHIL THYER	INDEPENDENCE, IA	99
	2010		TIM REED	BATH, SD	96
Event 7	2008	Thursday 100 Singles	GERALD DEMULLING	NEW RICHMOND, WI	100
	2009		JEFF WAGNER	WILLISTON, ND	100
	2010		MITCHEL LOVELESS II	MURFREESBORO, TN	100
Event 8	2008	Thursday 100 Handicap	GERALD DEMULLING	NEW RICHMOND, WI	98
	2009		STEVE MAINUS	MUSKEGO WI	96
	2010		ROBERT MUNSON	HOWARD LAKE, MN	96
Event 9	2008	Thursday 100 Doubles	HARLAN CAMPBELL	TRIBUNE, KS	100
	2009		NATON HOFER	HURON, SD	100
	2010		MICHAEL MOORE	WOODRIDGE, IL	100
Event 10	2008	Friday 100 Doubles	HARLAN CAMPBELL	TRIBUNE, KS	99
	2009		ROBERT MUNSON	HOWARD LAKE, MN	99
	2010		MITCHEL LOVELESS II	MURFREESBORO, TN	95
Event 11	2008	Friday 100 Singles	GERALD DEMULLING	NEW RICHMOND, WI	100
	2009		TROY	BALK	100
	2010		MITCHELL LOVELESS II	MURFREESBORO, TN	95
Event 12	2008	Friday 100 Handicap	HARLAN CAMPBELL	TRIBUNE, KS	96
	2009		STEVE RAISBECK	PLAIN, WI	98
	2010		SCOTT GENS	VERNON CENTER, MN	89
Event 13	2008	Doubles Championship	HARLAN CAMPBELL	TRIBUNE, KS	100
	2009		ROBERT MUNSON	HOWARD LAKE MN	100
	2010		DOUG STANEK	FORT DODGE, IA	98
	2008	Lady	JENNIFER WILBURN	BENECIA, CA	95
	2009		MALLORY STANTON	DEARBORN, MI	98
	2010		KAY CEE NELSON	VADNAIS HEIGHTS, MN	93
	2008	Vet	TOM SHANAHAN	DUBUQUE, IA	95
	2009		JOHN BOLICH	FRIDLEY, MN	95
	2010		DEAN BRIGHT	STEAMBOAT ROCK, IA	97

Past Winners - cont.

	2008	SR Vet	CHARLES MOEN	POLK CITY, IA	93
	2009		BLAIR SURBER	PALMYRA, VA	97
	2010		NEIL WINSTON	ST. PAUL, MN	93
	2008	Junior	DANIEL KNUTSON	ISANTI, MN	96
	2009		PRESTON CRANDELL	PARIS, IL	98
	2010		BRYAN HULL	WELLSVILLE, KS	97
	2008	Sub Junior	NATHAN HOFER	HURON, SD	95
	2009		ANDREW NARVICK	MORRIS, IL	74
	2010		ANTHONY FORTINO	KANKAKEE, IL	96
Event 14	2008	Remington Handicap	HARLAN CAMPBELL	TRIBUNE, KS	100
	2009		DEAN BRIGHT	STEAM BOAT ROCK, IA	98
	2010		DANIEL KNUDSON	ISANTI, MN	96
Event 15	2008	Singles Championship	GERALD DEMULLING	NEW RICHMOND, WI	200
	2009		DAVID DIETCH	CHILLOTHE, MO	200
	2010		DAVE DRESSLER	EL PASO, IL	200
	2008	Lady	SHELLY HEITNER	FORT DODGE, IS	196
	2009		CHERYL DEMULLING	NEW RICHMOND, WI	200
	2010		RACHEL HOPKINS	PATTONSBURG, MO	199
	2008	Vet	FRANK HOPPE	COLUMBUS, NE	199
	2009		TIM STARTUP	DE FOREST, WI	198
	2010		DEAN BRIGHT	STEAMBOAT ROCK, IA	197
	2008	SR Vet	B E MORRISSEY	BLAIR, NE	195
	2009		BLAIR SURBUR	PALMYRA, VA	198
	2010		JOHN HOFFLAND	WILLIS, TX	196
	2008	Junior	STEVEN SIMON	CENTER POINT, IS	189
	2009		NATHAN HLFER	HURON, SD	200
	2010		LOGAN NAPOLI	HIGH RIDGE, MO	197
	2008	Sub Junior	NATHAN HOFER	HURON, SD	199
	2009		ANDREW NORVICK	MORRIS, IL	182
	2010		ANTHONY FORTINO	KANKAKEE, IL	196
Event 16	2008	Handicap Championship	DEAN MULLER	MANLY, IA	99
	2009		DAN CAMPBELL	GRAND FORKS, NE	100
	2010		SCOTT GENS	VERNON CENTER, MN	99
	2008	Lady	JANET CORNMESSER	ROCKFORD, IL	95
	2009		JESSICA WHALEN	BARABO, WI	97
	2010		JESSICA WHALEN	BARABO, WI	96
	2008	Vet	DENNIS BIGELOW	CEDAR FALLS, IA	96
	2009		JOHN MOR	PAYNESVILLE, MN	91
	2008	SR Vet	MARILEN SYDOW	MADISON, WI	96
	2009		HUGH HOSKINGS	MADISON, WI	96
	2010		JAMES NOWAK	ONALASKA, MN	94
	2008	Junior	RYAN MULLER	MANLY, IA	96
	2009		JON HAVELY	NEW LONDON, MN	95
	2010		ZACHERY JEFFERY	LINCOLN, NE	90
	2008	Sub Junior	NATHAN HOFER	HURON, SD	97
	2009		ANDREW NARVICK	MORRIS, IL	89
	2010		COLTON LANGER	SHOREVIEW, MN	95

Past Winners - cont.

	2008	Hall of Fame	HARLAN CAMPBELL	TRIBUNE, SD	97
	2009		RICHARD WOLF	BLUE EARTH, MN	95
	2010		DANIEL KNUDSON	ISANTI, IA	95
Event 17	2008	High All Around	GERALD DEMULLING	NEW RICHMOND, WI	396
	2009		ROBERT MUNSON	HOWARD LAKE, MN	394
	2010		SCOTT GENS	VERNON CENTER, MN	392
	2008	Lady	JENNIFER WILBURN	BANECIA, CA	381
	2009		MALLORY STANTON	DEARBORN, MI	383
	2010		KAY CEE NELSON	VADNAIS HEIGHTS, MN	381
	2008	Vet	FRANK HOPPE	COLUMBUS, NE	385
	2009		JOHN MOR	PAYNESVILLE, MN	378
	2010		DEAN BRIGHT	STEAMBOAT ROCK, IA	376
	2008	SR Vet	NEIL WINSTON	ST. PAUL, MN	373
	2009		BLAIR SURBUR	PALMYRA, VA	384
	2010		JOHN HOFFLAND	WILLIS, TX	380
	2008	Junior	DANIEL KNUTSON	ISANTI, MN	378
	2009		CODY TANGSRUD	MCGREGOR, ND	391
	2010		BRYAN HULL	WELLSVILLE, KS	382
	2008	Sub Junior	NATHAN HOFER	HURON, SD	390
	2009		ANDREW NORVICK	MORRIS, IL	345
Event 18	2008	High Over All	HARLAN CAMPBELL	TRIBUNE, KS	1086
	2009		GEROLD DEMULLING	NEW RICHMOND, WI	1064
	2010		MITCHEL LOVELESS II	MURFREESBORO, TN	1053
	2008	Lady	JENNIFER WILBURN	BANECIA, CA	1039
	2009		MALLORY STANTON	DEARBORN, MI	1033
	2010		KAY CEE NELSON	VADNAIS HEIGHTS, MN	982
	2008	Vet	FRANK HOPPE	COLUMBUS, NE	1056
	2009		NEIL WINSTON	ST PAUL, MN	995
	2010		LARRY HIGHLAND	YANKTON, SD	950
	2008	SR Vet	B E MORRISSEY	BLAIR, NE	1029
	2009		HUGH HOSKING	MADISON, WI	1008
	2010		NIEL WINSTON	ST. PAUL, MN	988
	2008	Junior	DANIEL KNUTSON	ISANTI, MN	1026
	2009		NATHON HOFER	HURON, SD	1059
	2010		BRYAN HULL	WELLSVILLE, KS	1008
	2008	SUB JUNIOR	NATHAN HOFER	HURON, SD	1064
	2009		NO CONTESTANT		
	2010		TYLER VECHES	BUFFALO, MN	947

Added Money

<u>Day 5 -</u>	<u>Event #15 - Doubles</u>		<u>Day 6 -</u>	<u>Event #18 - Singles</u>	
Sat	Champion	\$100.00	Sunday	Champion	\$100.00
	Runner UP	\$75.00		Runner UP	\$75.00
Heartland	AAA	\$30.00	Heartland	AAA	\$60.00
Doubles	Runner UP	\$30.00	Singles	Runner UP	\$30.00
Champion	AA	\$30.00	Champion	AA	\$60.00
	Runner UP	\$30.00		Runner UP	\$30.00
	A	\$30.00		A	\$60.00
	Runner UP	\$30.00		Runner UP	\$30.00
	B	\$30.00		B	\$60.00
	Runner UP	\$30.00		Runner UP	\$30.00
	C	\$30.00		C	\$60.00
	Runner UP	\$30.00		Runner UP	\$30.00
	D	\$30.00		D	\$60.00
	Runner UP	\$30.00		Runner UP	\$30.00

<u>Day 7 -</u>	<u>Event #21 - Handicap</u>	
Monday	Champion	\$100.00
	Runner UP	\$75.00
	Third	\$75.00
Heartland	4	\$30.00
Handicap	5	\$30.00
	6	\$30.00
	7	\$30.00
	8	\$30.00
	9	\$30.00
	10	\$30.00
	11	\$30.00
	12	\$30.00

ATA 100 OR 200 STRAIGHT PINS

Shooters breaking 100 or 200 straight without carry-over will be awarded a Heartland Grand 100 or 200 straight pin, and only one such pin will be awarded to each individual. Please inquire at the trophy room. Stockdale Gun Club offers nice 100 & 200 straight singles pin as well as a 100 straight doubles pin that may be picked up at the entry building.

CAMPING

There are a limited number of camping spaces available. Advance deposit is required or spaces will be allocated on a "first received" basis.

For information please write or call:

Camping Reservations

10724 Co Hwy S-55

Ackley, IA 50601

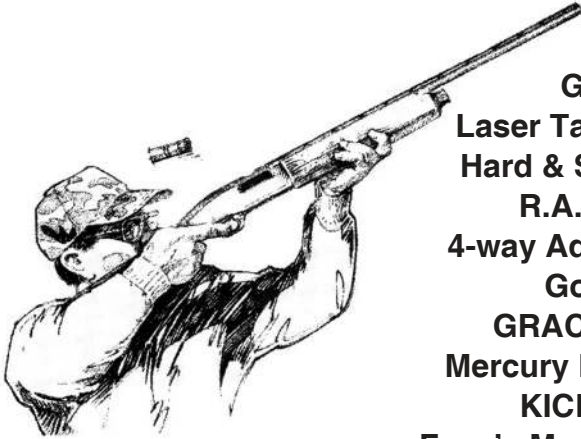
641-648-4458 - stockdale@mycns.net

THE STOCK SHOP, INC.

Custom Gunsmithing

121 Gates Avenue
Kenyon, MN 55946

We Look Forward to Serving You!



Gunfitting
Laser Targeting System
Hard & Soft-top Combs
R.A.D. Systems
4-way Adjustable Combs
Gooley Pads
GRACOIL Systems
Mercury Recoil Reducers
KICK EEZ Pads
Foxy's Magnetized Gun Rest

*Ask about our replacement adjustable hardware
for Browning and Beretta shotguns*

*Look for Us at the Heartland Grand,
Missouri Fall Handicap & Arizona Winter Chain*

Tom & Ann Dee Larkin

Shop: 507-789-5523

Cell: 507-254-4694 or 507-838-5318

www.thestockshop.net

“Get'er done at the Stock Shop”

RECOB'S TARGET SHOP

*Serving the Shooting Sports
Since 1985*

~ fast, efficient & dependable shipping ~

975 19th Street

Prairie du Sac, WI 53578

JEFF, KAREN OR BILL RECOB

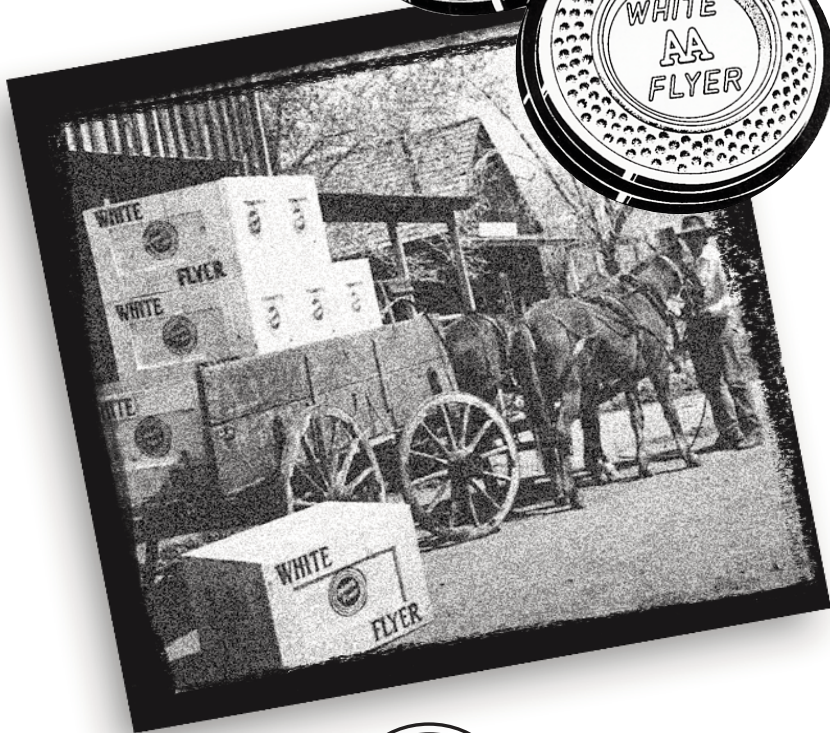
800.359-4571 ~ 608.643-6424

ONLINE STORE AND EMAIL

www.recobstargetshop.com

AMERICAN TRAP, SKEET & INTERNATIONAL TARGETS

A SHOOTING
TRADITION
SINCE 1892 . . .



WHITE  **FLYER**[®]
TARGETS

DIVISION OF REAGENT CHEMICAL & RESEARCH, INC.

For the name of your nearest White Flyer Distributor call:

East 800-423-6077 **Central** 800-647-2898 **West** 800-872-7888

or contact:

Josh Taylor, Eastern Regional Sales Manager

125 Thevintree Drive • Galloway, OH 43119

Office: 614-853-5689 • Fax: 614-853-5687 • email: jtaylor@reagentchemical.com

SUNSET Distributors, Ltd.

**DEAN & MIKE
BRIGHT**

**Welcome
Shooters!!**

**303 SHERMAN AVE.
ACKLEY, IA. 50601**

Ph: 877-700-2464 - Fax: 641-847-2512

e-mail: info@sunsetdist.com

Wholesale Only !! Gun Clubs & Dealers

SUNSET
DISTRIBUTORS, LTD.

**OFFERING A
COMPLETE
LINE OF
AMMUNITION,
COMPONENTS,
&
ACCESSORIES.**



WHITE  **FLYER**[®]



Welcome to the end of the day.™

810 South Oak St, Iowa Falls, IA 50126

Toll Free Reservations: 866-436-6835

Front Desk: 641-648-4600

Top 5 reasons to stay at AmericInn

- Quiet rooms
- Great breakfast
- Quiet rooms
- Large pool
- Quiet rooms

We are proud to provide the amenities you want most and we deliver them at the highest level possible, starting with quiet rooms. Our Iowa Falls AmericInn Motel & Suites offers a variety of room types, including suites with whirlpools and fireplaces that are perfect for business or leisure travelers.

Welcome to a friendly smile, great service, an inviting pool,
free breakfast, warm cookies, and quiet nights!

The Stockdale Gun Club
10724 Co Hwy S-55
Ackley, IA 50601

Bring Your Pump Gun!

SIX BROWNING BPS PUMP GUNS AWARDED AAA-D CLASS IN “PUMP’EM” DOUBLES